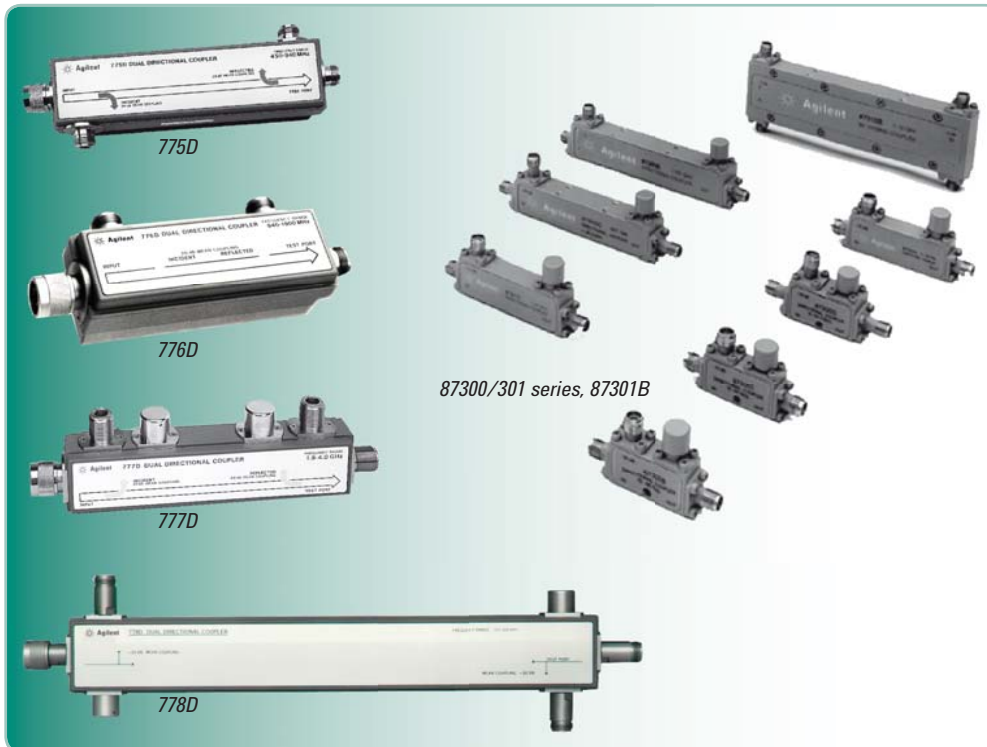
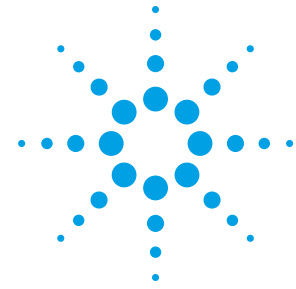


Agilent Couplers

The Agilent couplers consists of hybrid coupler, broadband directional coupler, single directional coupler, and dual directional coupler. This is a complete line of coaxial single and dual port directional couplers, bridges for isolating, separating, and combining RF and microwave signals in applications such as power monitoring, source leveling, swept transmission, and reflection measurements.



Key features

- Broadband couplers maximize your operating frequency up to 50 GHz
- Excellent directivity of min 40 dB for higher measurement accuracy
- Low SWR (<1.1 dB) minimizes mismatch errors



Agilent Couplers

Product specifications

Model	Frequency range (GHz)	Coupling	Amplitude imbalance	Phase imbalance	Isolation	Maximum SWR (dB)	Insertion loss (dB)	Power rating average, peak	Connectors
Hybrid Coupler									
87310B	1 to 18	3 dB	±0.5 dB at each port, centered at -3 dB	±10 Degrees	>17 dB	1.35	<2.0	20 W, 3 kW	SMA (f)

Model	Frequency range (GHz)	Nominal coupling & variation (dB)	Directivity (dB)	Maximum SWR (dB)	Insertion loss (dB)	Power rating average, peak
Broadband Directional Coupler						
87300B	1 to 20	10 ±0.5	>16	1.35	<1.5	20 W, 3 kW
87300C	1 to 26.5	10 ±1.0	>14 to 12.4 GHz >12 to 26.5 GHz	1.35 to 12.4 GHz 1.5 to 26.5 GHz	<1.2 to 12.4 GHz <1.7 to 26.5 GHz	20 W, 3 kW
87300D	6 to 26.5	10 ±0.5	>13	1.4	<1.3	20 W, 3 kW
87301B	10 to 46	10 ±0.7	>10	1.8	<1.9	20 W, 3 kW
87301C	10 to 50	10 ±0.7	>10	1.8	<1.9	20 W, 3 kW
87301D	1 to 40	13 ±1.0	>14 to 20 GHz >10 to 40 GHz	1.5 to 20 GHz 1.7 to 40 GHz	<1.2 to 20 GHz <1.9 to 40 GHz	20 W, 3 kW
87301E	2 to 50	10 ±1.0	>13 to 26.5 GHz >10 to 50 GHz	1.5 to 26.5 GHz 1.8 to 50 GHz	<2.0	20 W, 3 kW

Single Directional Coupler						
773D ¹	2 to 18	20 ±0.9	>30 to 12.4 GHz >27 to 18 GHz	1.2	<0.9	50 W, 250 W

Dual Directional Coupler						
772D ¹	2 to 18	20 ±0.9	>30 to 12.4 GHz >27 to 18 GHz	1.28 to 12.4 GHz 1.4 to 18 GHz	<1.5	50 W, 250 W
775D ²	0.45 to 0.94	20 ±1	>40	1.15	<0.40	50 W, 500 W
776D ²	0.94 to 1.9	20 ±1	>40	1.15	<0.35	50 W, 500 W
777D ²	1.9 to 4	20 ±0.4	>30	1.2	<0.75	50 W, 500 W
778D	0.1 to 2	20 ±1.5	>36 to 1 GHz ³ >32 to 2 GHz ³	1.1	<0.60	50 W, 500 W

1. See data sheet for typical out of band data from 0.1 to 2 GHz and 18 to 20 GHz.
 2. Maximum auxiliary arm tracking: 0.3 dB for Agilent 776D; 0.5 dB for Agilent 777D.
 3. 30 dB to 2.0 GHz, input port.

Ordering information

Model	Option	Standard connector	
		Primary line	Auxiliary arm
772D	STD	APC-7, APC-7	N(f)
	001	N(f), N(f)	N(f)
773D	STD/101	APC-7, APC-7	N(f)
	001	N(f), N(f)	N(f)
	010	N(m), N(f)	N(f)
775D/ 777D	002	N(f), N(m)	N(f)
	STD	N(m), N(f)	N(f)
778D	STD	N(f), N(m)	N(f), N(f)
	011	APC-7, N(f)	N(f), N(f)
	012	N(m), N(f)	N(f)
87301D	240	2.4 mm(f), 2.4 mm(f)	2.4 mm(f)
	292	2.92 mm(f), 2.92 mm(f)	2.92 mm(f)
87300B	-	SMA (f), SMA (f)	SMA (f)
87300C	-	3.5 mm(f), 3.5 mm(f)	3.5 mm(f)
87300D	-	3.5 mm(f), 3.5 mm(f)	3.5 mm(f)
87301B	-	2.92 mm(f), 2.92 mm(f)	2.92 mm(f)
87301C	-	2.4 mm(f), 2.4 mm(f)	2.4 mm(f)
87301E	-	2.4 mm(f), 2.4 mm(f)	2.4 mm(f)
87310B	-	SMA (m), SMA (m)	SMA (m)

Recommended service options

Additional two years of Return-to-Agilent warranty
 Additional two years of Return-to-Agilent calibrations
 For more information go to www.agilent.com/find/removealldoubt

Download or order from www.agilent.com/find/mta

To find a distributor in your area, go to www.agilent.com/find/distributors

Product specifications and descriptions in this document subject to change without notice.

© Agilent Technologies, Inc. 2009, Printed in USA, February 17, 2010

5990-5353EN



Agilent Technologies